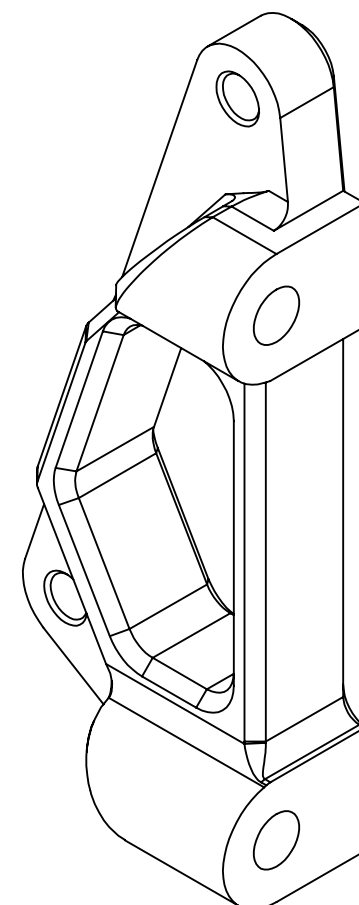
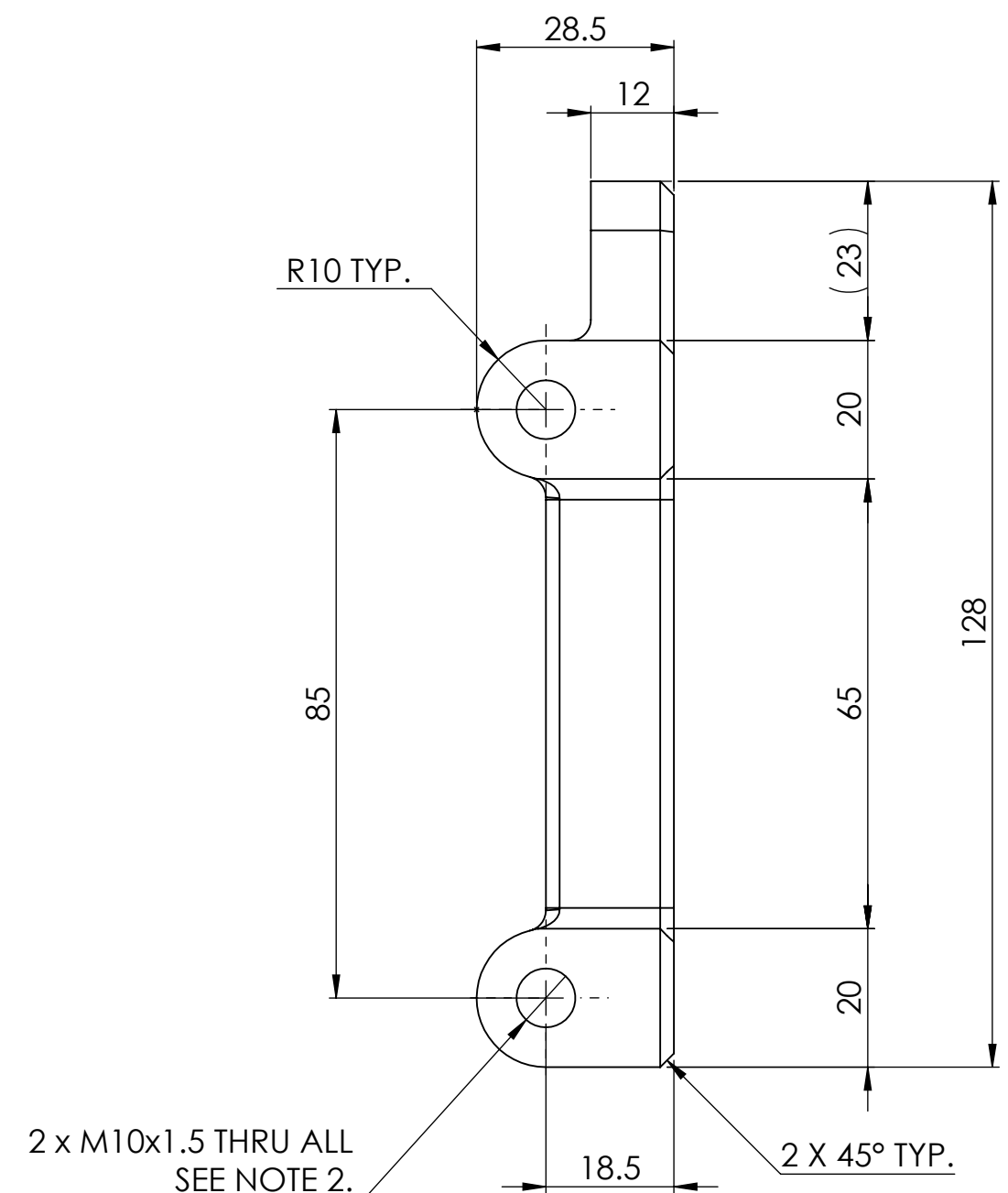
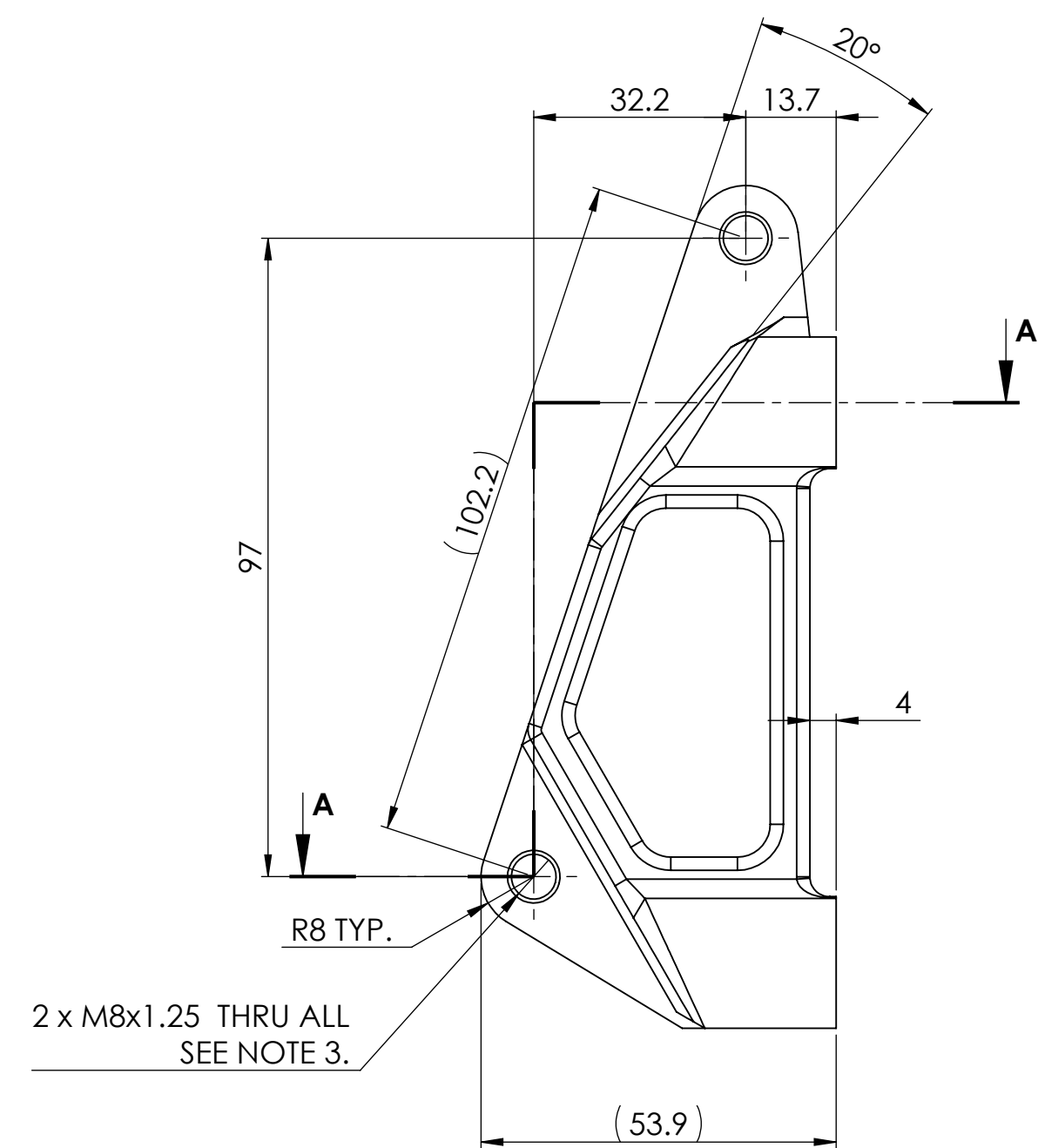


SECTION A-A



AUX. VIEW

NOTES:

1. TO ADAPT APRILIARS-125 '06 MODEL RADIAL FRONT BRAKE CALIPER TO CRM-250 '91 FRONT FORKS.
2. USE M10x1.25 THREAD IF USING RS-125 BOLTS.
3. USE HELI-COIL INSERTS TO INCREASE STRENGTH OF MOUNT.

MATERIAL : ALUMINIUM
 SPECIFICATION : 6061 - T4
 FINISH : 1.6 U.O.S.
 REMOVE ALL BURRS AND SHARP EDGES

SHANE LONG
 MECHANICAL & MECHATRONIC ENGINEERING
 www.speeddevice.com.au

TOLERANCES ON DIMENSIONS
 UNLESS NOTED OTHERWISE
 LINEAR: ±0.5mm

SCALE
 1:1
 DRAWING REFERENCE

ITEM	LOC.	DESCRIPTION	MATERIAL	REQD
		MOTARD BRAKE ADAPTER BRACKET		
		FRONT CALIPER ADAPTER		
		APRILIA RS-125 CALIPER TO HONDA CRM-250		

DRAWN TO AS 1100		DIMENSIONS IN MILLIMETRES		DO NOT SCALE
NAME	DATE	SIGN	©	
DRN	S. LONG	24/9/2014	COPYRIGHT	
DRG. CKD		24/9/2014	SHT No.	
DESIGNED		24/9/2014	1/1	
DESIGN CKD		24/9/2014	REV	
APPROVED		24/9/2014	A	
SHT. SIZE	DRG No.	A2 DWG-CRM-001		SWCAD

PROPRIETARY INFORMATION. THIS DOCUMENT IS THE PROPERTY OF SHANE LONG AND ANY TRANSMITTAL OF IT WILL BE IN CONFIDENCE, EXCEPT WITH THE WRITTEN CONSENT OF SHANE LONG.
 (1) THIS DOCUMENT MAY NOT BE COPIED IN WHOLE OR IN PART AND IF REQUESTED WILL BE RETURNED WHEN NO LONGER NEEDED BY RECIPIENT.
 (2) INFORMATION CONTAINED HEREIN MAY NOT BE COMMUNICATED TO OTHERS AND MAY BE USED BY RECIPIENT ONLY FOR THE PURPOSE FOR WHICH IT WAS TRANSMITTED.